

GENERAL CHARACTERISTICS

Conductive probes SL series constitute, in combination with the electronic control units VNR21.22, a valid solution for controlling the level of liquid with minimum value of conductivity of $1\mu\text{S}$.

The probes are available in a wide variety of materials and process connections and their construction has been appropriately designed to ensure high operational reliability in difficult conditions, such as those found on industrial plants.

- Up to 4 electrodes.
- Coated electrodes.
- Hermetic construction, epoxy resin sealed.
- Electrical output via DIN 43650 plug.
- Minimum degree of protection IP65.



See ELECTRA VNR.21.22

TECHNICAL DATA

Tab.1

Description	Features			
	1	2	3	4
N° electrodes each probe	1	2	3	4
Electrodes length L	500	1000	1500	
Electrical output	S1 DIN 43650 plug			
Electrodes coating	VL	K	E	
	Polyolefins	Kynar	PTFE	
Max. Bar	6			
Max. °C	100			
Degree of protection	IP65			

DIMENSIONS

Tab.2

DN	F Thread	SW mm	A mm	B mm	N. of Electrodes
10	3/8"	32	63	20	1
15	1/2"	32	63	20	1 2
25	1"	40	68	20	3
40	1-1/2"	55	68	20	4

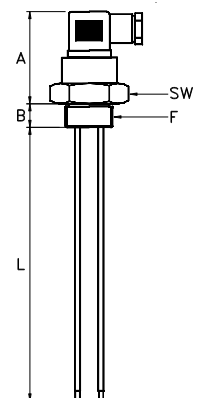
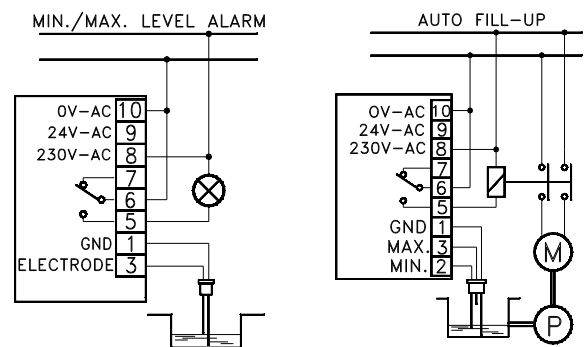
Male thread

G	C	N
Parallel UNI 228/1	Conical UNI 7/1	Conical NPT
On request		

Process connection materials

P	B	S
Polypropylene	Nickel plated brass	AISI-316
On request		

TYPICAL APPLICATIONS WITH VNR 21.22



INSTALLATION AND MAINTENANCE

Installation:

Conductive probes are supplied with all electrodes in standard lengths of 500, 1000 or 1500 mm.

As necessary and depending on the level under control, the electrodes must be shortened, according to the following precautions:

- 1) The ground electrode must always be the longest and be always immersed in the liquid to be controlled.
- 2) Once you have shortened the electrodes, remove the coating on the terminal part for about 1 cm. exposing the metal part.

Maintenance:

The only recommendation to be observed is: Periodically check the condition of the electrodes and their coating and possibly clean the same with non-aggressive liquids.

NOMENCLATURE

SL	P	15G	2 x 1000	K	S1	
•						Conductive probe
	•					Tab.2 Process connection material
		•				Tab.2 Process connection dimensions and thread
			•			Tab.1 N. and electrodes length (mm)
				•		Tab.1 Electrodes coating material
					•	Tab.1 Electrical output